

Product Information Sheet

24 Hour Timer With Evac Tone Generator



Description

Comprising a 7 day 24 hour digital timer plus a tone generator, this microprocessor controlled unit is ideal for use in schools and factories. In schools it could be used for signalling start and finish of class, lunch breaks etc through the school PA system. In industrial uses it could control air conditioning, security lighting and the like.

The tone generator includes industry standard Alert and Evacuation tones to AS2220.1, plus five choices of bell chime which can be fed into the auxiliary input of any PA system to be broadcast over the loudspeakers.

Operation

Alert, Evacuation and bell chimes can be activated:

A: Via the front panel illuminated switches or

B: Remotely via a closing set of contacts. This could include building fire alarm panel, break glass alarms etc.

Alert and evacuation tones are cancelled by pressing the cancel switch.

Five choices of bell chimes are available:

1. Bing
2. Bong
3. Bing Bong
4. Siren
5. Deedle

The desired chime tone is selected via the rear panel dip switch. All tones can be programmed to sound once only regardless of how long the switch remains operated, or tones 2, 4 and 5 can sound continuously for as long as the switch remains operated.

Provision has been included to install a voice over module A 2072. This is a digitally stored 16 second message which can be custom recorded via the inbuilt microphone for each installation. When installed it interrupts every 4th cycle of the evacuation tone and delivers the recorded message twice ie something like "evacuate as directed", "evacuate as directed". The evacuation tone then continues to sound for 4 more cycles then the message interrupts again and plays twice etc etc.

When any tone is activated ie Alert, Evacuation or bell chime, 24VDC is provided on the rear panel. This could be used to control external devices like override relays in volume control.

Time clock

The 7 day 24 hour time clock can be programmed for a total of 14 on/off cycles. The on/off times can be programmed to operate on the following basis:

- Every day of the week
- Any one day of the week.
- Monday – Friday
- Saturday and Sunday
- Monday – Saturday
- Monday – Wednesday
- Thursday – Saturday
- Monday, Wednesday and Friday
- Tuesday, Thursday and Saturday

If you wish to program on/off cycles at different times on different days, you are limited to 14 on/off cycles total. Not 14 separate on/off cycles per day. The on duration can be programmed to remain on anywhere from 1 second through to 23 hours 59 seconds. Once programmed the on duration is the same for all on/off cycles.

When the programmed times occur, the timer operates a set of internal switch contacts. These contacts can be used to switch the selected bell chime through a PA system or provide 24V DC to control external devices.

NOTE: only one of these functions can be controlled at a time and are selectable by the rear mounted dip switch.

Modes of Operation

The time clock alarm contacts can be controlled.

- A:** Automatically: Contacts operate as per programmed times.
- B:** Manually: Contacts operate continually regardless of programmed times.
- C:** Off: Contacts do not operate.

In the event of mains failure, all programmed times are maintained by the inbuilt lithium battery.

Connections

Audio output 2 x RCA sockets.
External switch contacts pluggable terminals

Features

- 2U 19" rack mount
- 5 different chimes to select from
- 14 programmable ON times
- Heavy duty illuminated switches activate Chime and emergency tones.
- Selected Chimes can be configured to sound continually
- Remote trigger contacts for Chime and emergency tones.
- 1V line out via RCA sockets
- Switched 24VDC out when tones activated
- Operates from 240VAC or 24VDC
- Timer can activate Chime or 24VDC out.
- Separate volume controls on rear panel for chime, emergency tones and voice over (if fitted)
- Battery backup so programmed times will not be lost if power disconnected.
- Emergency tone switches either momentary or alternate.

Specifications

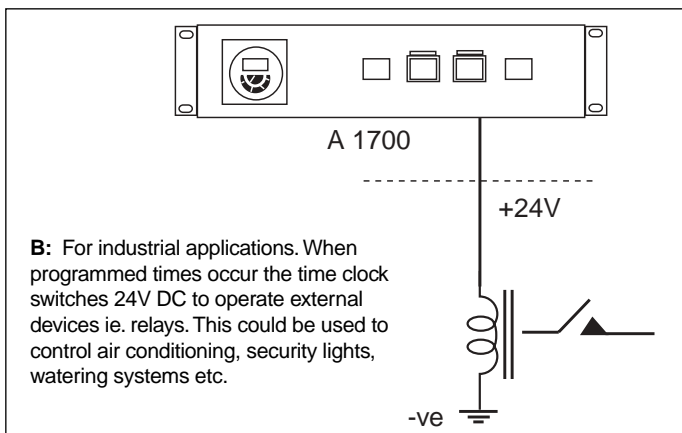
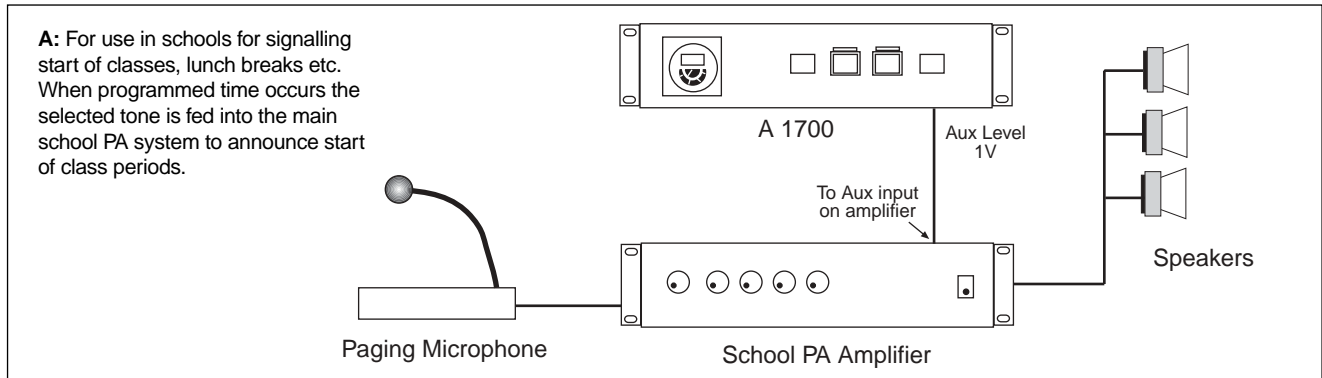
Timer Switch Contact Rating:8A 250VAC
or 16A at 30VDC

Switch Type:SPDT

Colour:Black

Dimensions:483W x 120D x 88H mm

* Specifications subject to change without notice.



Dip Switch Settings

Switch Number	1	2	3	4
Chime: Single Bing	OFF	OFF	OFF	—
Bing Bong	OFF	OFF	ON	—
Single Bong	ON	OFF	OFF	—
Siren	ON	ON	OFF	—
Deedle Tone	OFF	ON	OFF	—
Continuous Bong	ON	OFF	ON	—
Continuous Siren	ON	ON	ON	—
Continuous Deedle	OFF	ON	ON	—

Switch Number	1	2	3	4
Alert/Evac Contacts				
Momentary Operation	—	—	—	OFF
Continuous Operation	—	—	—	ON

Momentary Operation: Alert/Evac tones will sound only while contacts closed. **Continuous Operation:** Contacts need only be closed briefly for continuous operation.